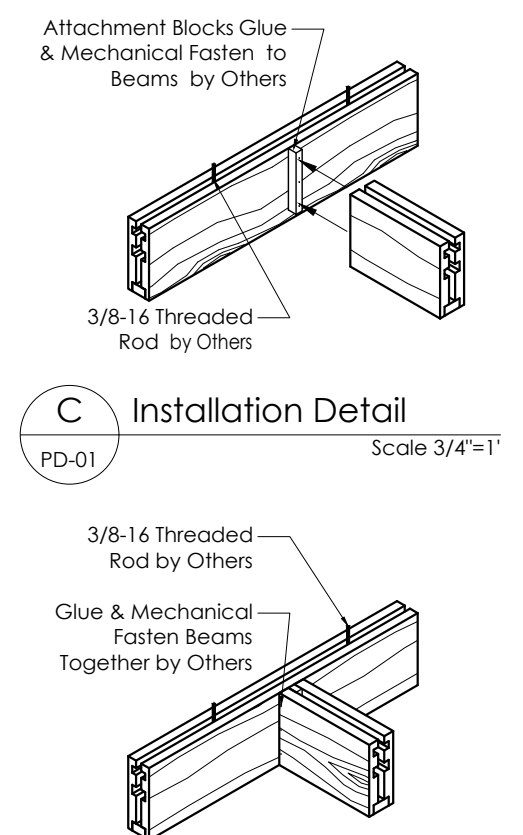
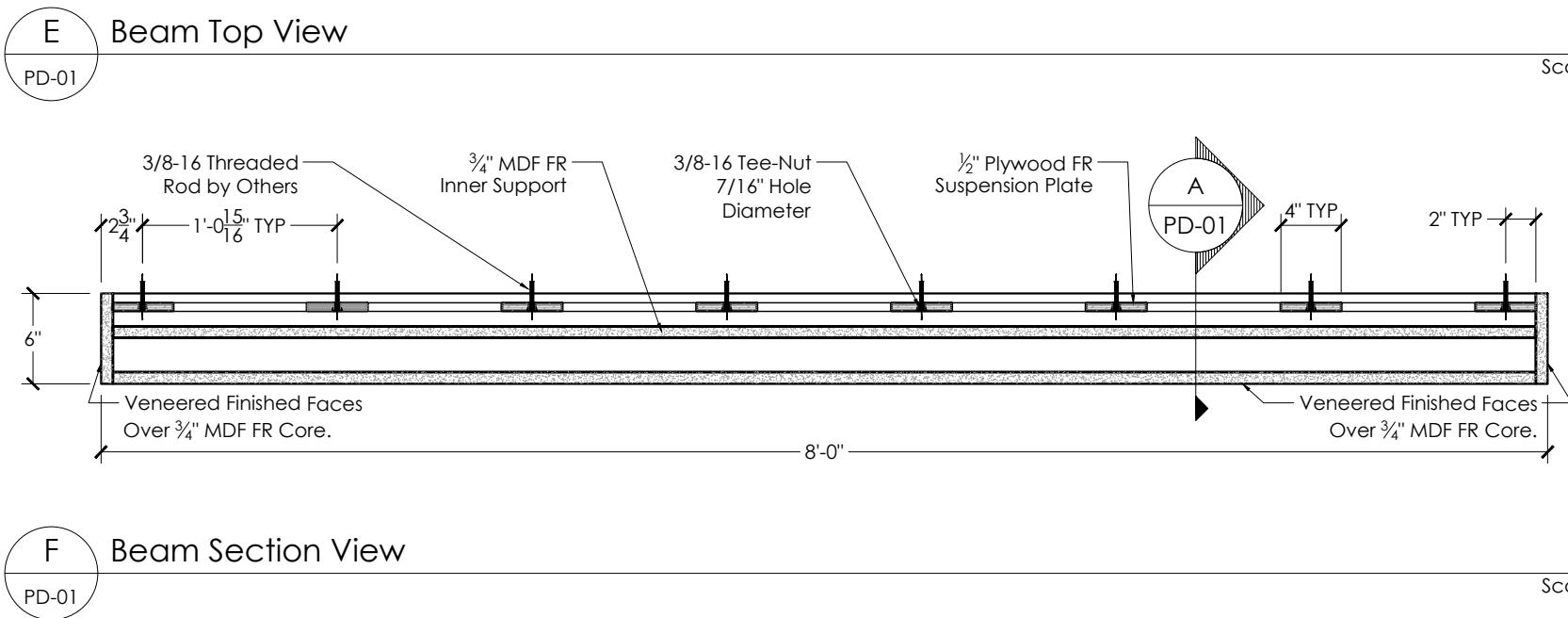
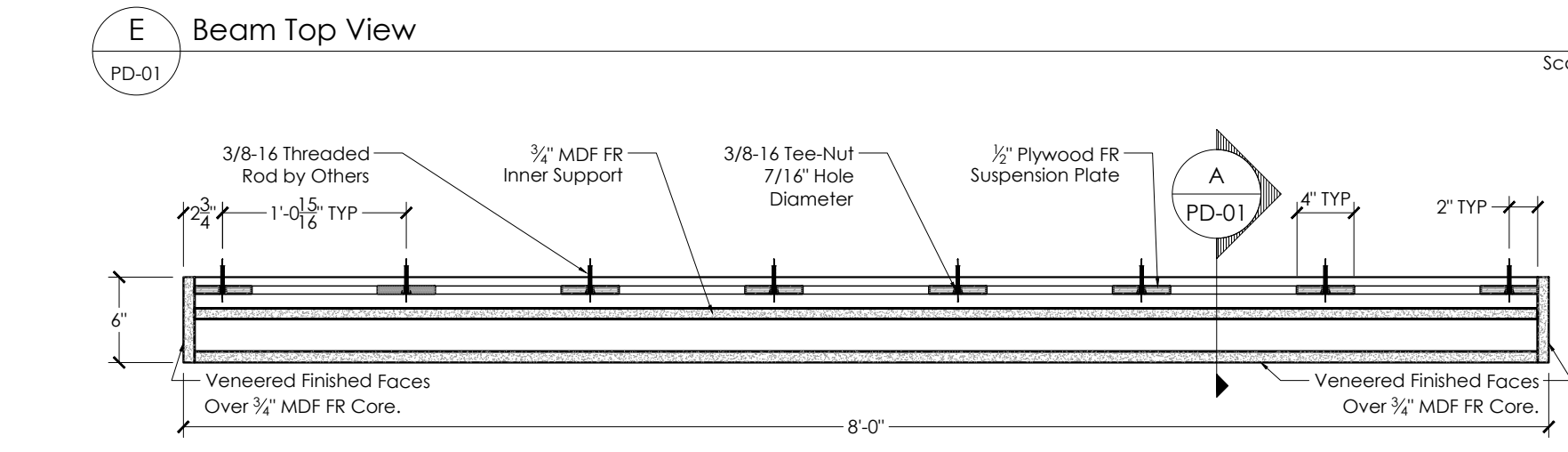
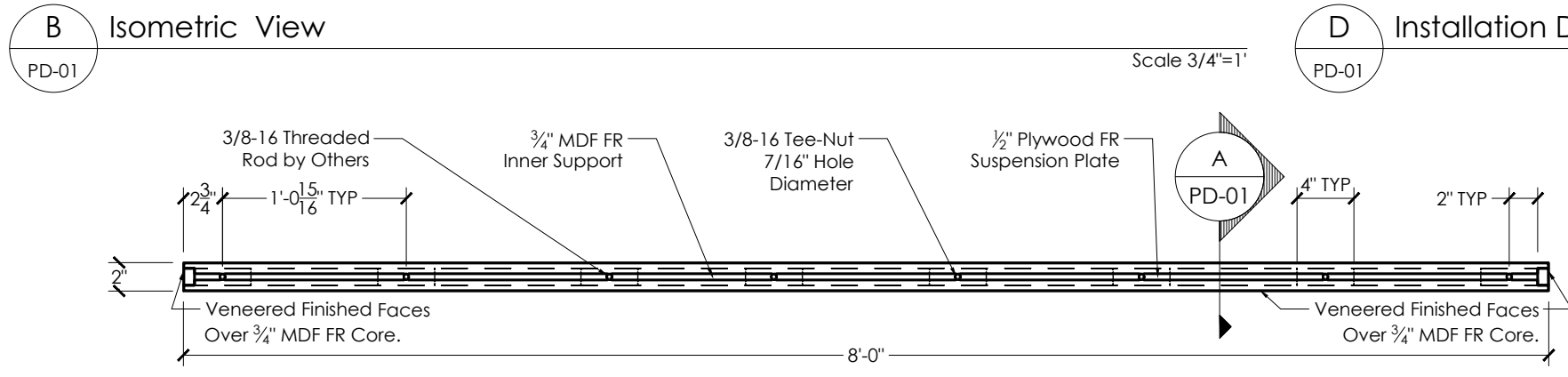
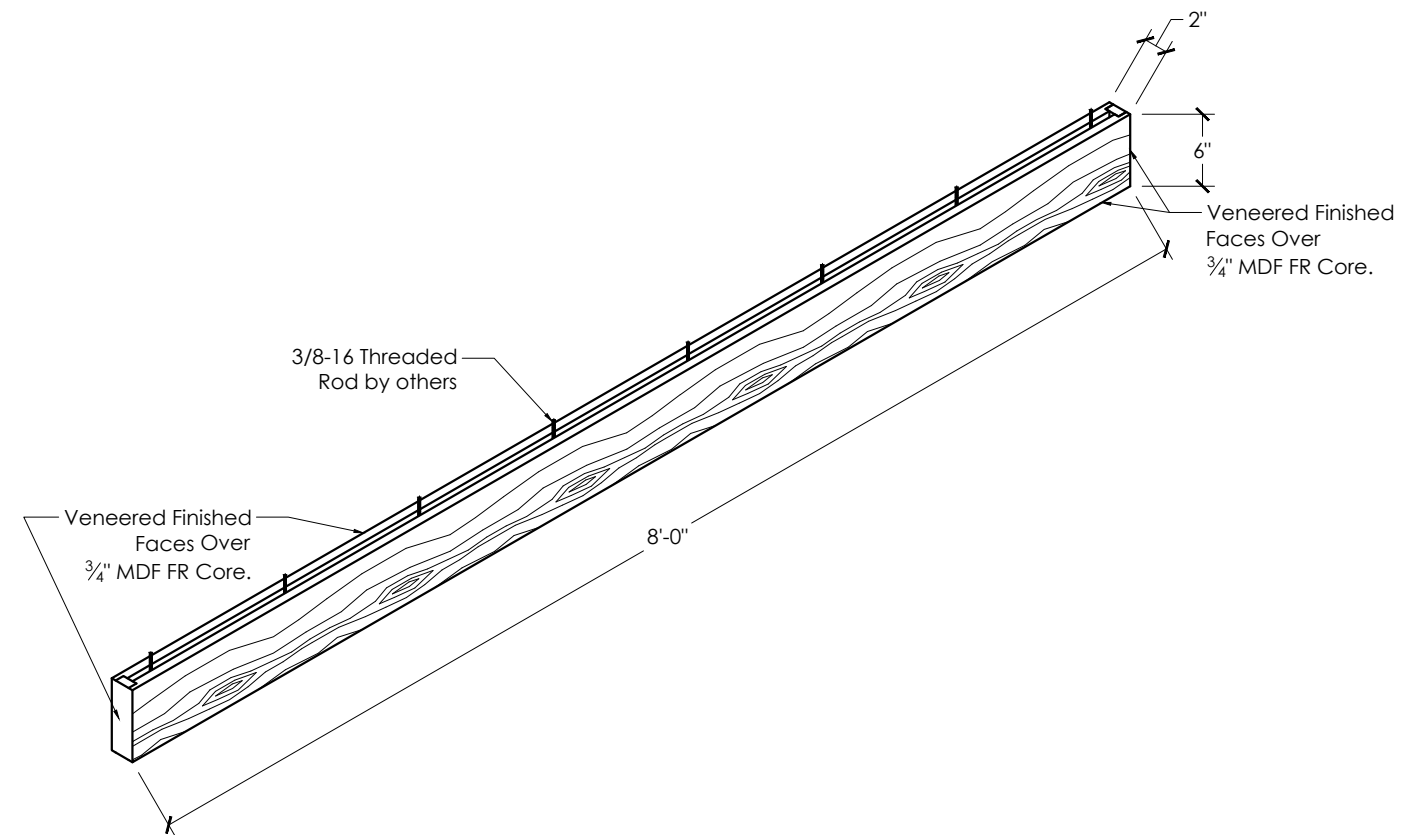
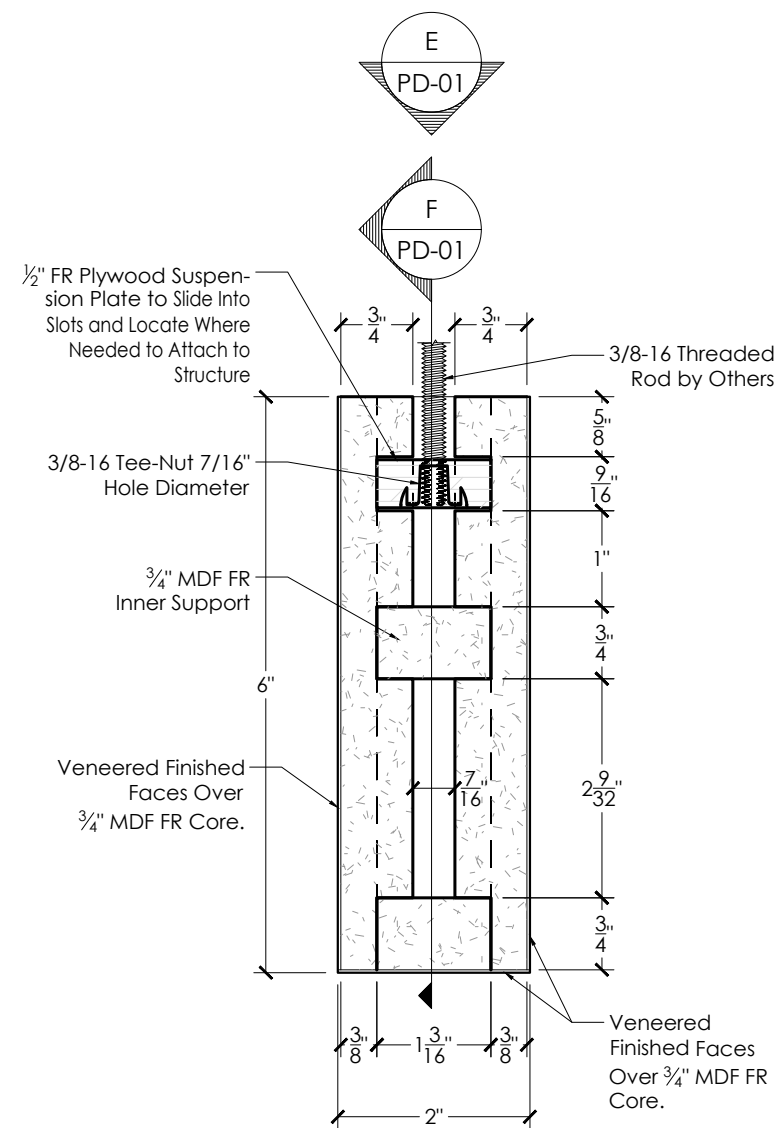


Closed Ends (CE) Beam Product Specifications - Wide Profile

Type:	Veneer Beam
Module:	Nominal Size (ex. 2" x 6" x 96")
Core(5/8" or 3/4"):	MDF or Particle Board
Veneer/Finish:	Veneer Species
Finish:	Clear Topcoat, Standard low VOC content, 20% sheen
Rating:	Class A per ASTM E84 (MDF & PB)
Mounting:	Closed Ends (CE) Beam
Accessories:	3/8-16 Threaded Rod by Others
Options:	FSC available (FSC-C151918)

QTY.:	
	--



CertainTeed
SAINT-GOBAIN

CertainTeed Ceiling Corporation
20 Moores Road
Malvern, PA 19355
800-233-8990

The mark of responsible forestry
FSC® C151918

Certificate Code:
SCS-COC-006960

Only the products that are identified as such on this document are FSC® certified

ARCHITECT
XXXXXX

CUSTOMER
XXXXXX

REPRESENTATIVE
XXXXXX

DATE	REVISIONS	#

PROJECT TITLE
XXXXX XXXXXXX
XXXXXXXXXX

PROJECT LOCATION
CITY, STATE

SHEET REFERENCE
8010CE

PRODUCT
Closed Ends (CE) Beam

SHEET TITLE
Product Detail 01

DATE	DRWN	CHECK
3/17/20	A.D.	D.T.

SHEET NO.
PD-01

These drawings show typical conditions for installing the CertainTeed Ceilings product shown. They should not be construed as a substitute for an architectural or engineering design and do not reflect the unique requirements of local codes, laws, statutes or regulations that may be applicable for a specific installation. CertainTeed Ceilings assumes no liability for the accuracy or completeness of the drawings for a specific installation or the fitness of the drawings for a particular purpose. The user is advised to consult with local licenced design professionals in order to assure compliance with all legal requirements. CertainTeed Ceilings is not licenced to provide professional engineering or architectural services.

Only the products that are identified as such on this document are FSC® certified

ARCHITECT
XXXXXX

CUSTOMER
XXXXXX

REPRESENTATIVE
XXXXXX

DATE									
REVISIONS									
#									

PROJECT TITLE
XXXXX XXXXXXX
XXXXXXXXXX

PROJECT LOCATION
CITY, STATE

SHEET REFERENCE
8010CE

PRODUCT
Closed Ends (CE) Beam

SHEET TITLE
Product Detail 02

DATE 3/17/20	DRWN A.D.	CHECK D.T.
-----------------	--------------	---------------

SHEET NO.
PD-02

Beam (Box Veneer Beam) - Rectangular vertical and horizontal linear wood assembled to create box beams.	
Beam Length: ± 0.25" (1/4")	Beam Width/Height: ± 0.062" (1/16")
End-Cut Squareness	± 0.125" (1/8")
Bowing (along edge)	± 0.125" (1/8")
Assembled Joint Tightness	± 0.031" (1/32")

Notes:

- All dimensions are shown for reference and will have to be modified for field installation.
- Fixtures to be hung independently from ceiling support system. Fixtures may include but are not limited to - light fixtures, HVAC diffusers, sprinkler heads and/or piping, speakers, security cameras, components, etc.
- Utilize the use of cut-offs where appropriate - product quantities based on partial products being used.
- Contractor to follow CISCA guidelines for hanging grid system. Our ceilings are heavier than typical ceiling products. Main grid "T" recommended at 2'-0" on center.
- Our wood ceiling reflected plans will include penetrations of limited light fixtures and HVAC registers only when the size of the wood is impacted. Other penetrations, including but not limited to sprinklers, security cameras audio-visual, etc.. will not be included in our drawing set due to the fact that we will not claim understanding and liability of placement or code requirement.
- Ceiling fixtures shown for reference only - lights and mechanical elements by others.
- See Product Detail Sheets for edge condition details.
- All products should be reviewed before installation to avoid undesirable visual pattern because of natural color and grain variations.
- All product field cut must be sealed with a clear sealer or stained then sealed.
- CertainTeed 15/16" & 9/16"HD T-Bar sold separately visit www.certainteed.com/suspension-systems/ for more information and purchasing options.

NOTES:
- Dimensions are to be field verified prior to fabrication. Changes in dimensions may result in quantity adjustments.
- Closet stock and spares are not included and must be added to quantity shown if needed.