

Materials and Finishes

CertainTeed offers 24 standard colors of coil-coated **Kynar® 500** on 24 gauge galvanized steel and .032", .040" and .050" aluminum. In addition, seven colors are available in .063" aluminum. Paint grip galvanized steel, copper and 304 2B stainless are available upon request.

Kynar 500 fluoropolymer coating is a high-performance architectural finish offering unparalleled resistance to weathering, aging and pollution. Coated materials are non-staining and virtually maintenance-free. Any surface residue is easily removed with mild, non-abrasive detergents. Minor scratches may be touched up with an air dry touch-up of the same color.

CertainTeed offers anodized finishes in clear, medium bronze, dark bronze and black.

Anodize is available as coil coated or batch anodize process.

Important Note: Due to shade variation in the anodizing process, it is recommended that the contractor work with the architect or building owner to sort and install products in the arrangement best suited to the owner's preference.

CertainTeed does not warrant any anodize finishes and will not be held responsible for shade variation inherent in the anodize process.

ASK ABOUT ALL OF OUR OTHER CERTAINTEED® PRODUCTS AND SYSTEMS:

ROOFING • SIDING • TRIM • WINDOWS • DECKING • RAILING • FENCE
INSULATION • GYPSUM • CEILINGS • FOUNDATIONS • PIPE

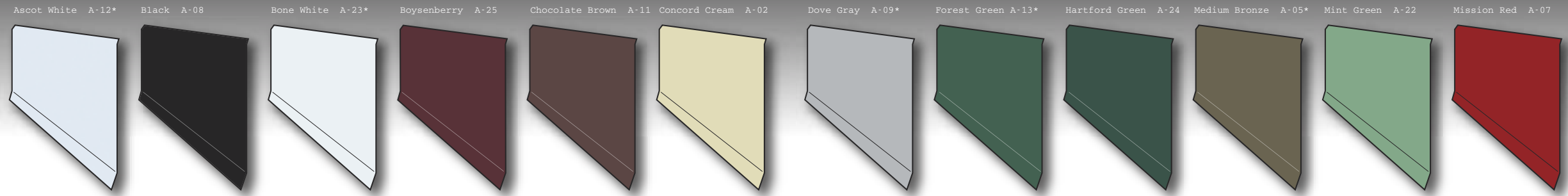
www.certainteed.com <http://blog.certainteed.com>

CertainTeed Corporation
P.O. Box 860
Valley Forge, PA 19482

Professional: 800-233-8990
Consumer: 800-782-8777

© 8/10 CertainTeed Corporation, Printed in U.S.A.
Code No. COMM-279





Standard color samples printed here are approximations.
 For exact colors, request actual metal color sample chips. Color cards are available by request. *Seven colors also available in pre-finished .063" aluminum.

Frame your building with FlintEdge decorative edge metal

FlintEdge Parapet Coping

The coping utilizes a metal chair that functions as both a gutter chair (with its raised ribs) and as an internal splice plate (in the same color and finish as the coping cap). Standard 20 gauge galvanized steel cleat. A heavy 16 gauge cleat is available for high wind areas.

For wall sizes measuring 6" to 32".

UL Classified to meet the ANSI/SPRI ES-1 Roof Edge Standard.

Internal metal chair drainage system eliminates caulked joints.

True welded radius, matching corners, end caps and other accessories are factory fabricated. Pre-punched holes and supplied fasteners for proper attachment.



FlintEdge Fascia ET

Extruded aluminum retainer featuring a wide base flange that clamps BUR or modified bitumen plies like a termination bar to help prevent leaks and blow-offs.



UL Classified to meet the ANSI/SPRI ES-1 Roof Edge Standard. Extruded retainer available for standard face sizes 3.75", 5.25", 6.75" and 8.25".

FlintEdge Fascia GS

Simple two-piece design featuring a formed gravel stop fascia and a continuous galvanized steel anchor clip with a concealed splice plate at the joints.



Three clip styles to choose from. Standard face sizes are from 2.5" to 12".

FlintEdge Expansion Joint

Sheet metal construction offers maximum protection and versatility. Unique articulatory cleat permits lateral and horizontal movement.



Standard sizes to fit expansion joint opening of 2", 3" or 4". Custom sizes available upon request.

FlintEdge Fascia GG

A three-part system consisting of a continuous galvanized steel water dam, exterior fascia and a continuous galvanized steel retainer to lock the



assembly together. Grips the roofing plies without the need for exposed fasteners. Standard face sizes are 6.25", 7.75", 9.25" and 10.75". Custom sizes available upon request. UL Classified to meet the ANSI/SPRI ES-1 Roof Edge Standard.

Easy to install and exceeds industry standards for wind uplift resistance

24 standard pre-finished colors available in .032", .040" and .050" aluminum and 24 gauge, G-90 galvanized steel.

