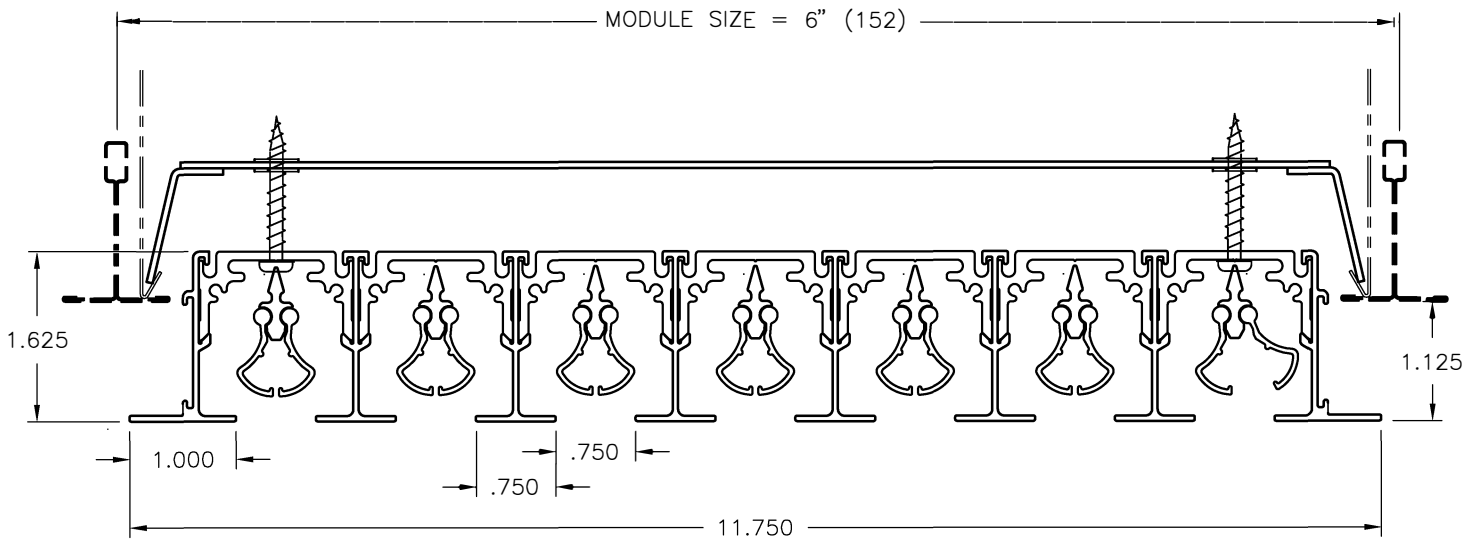
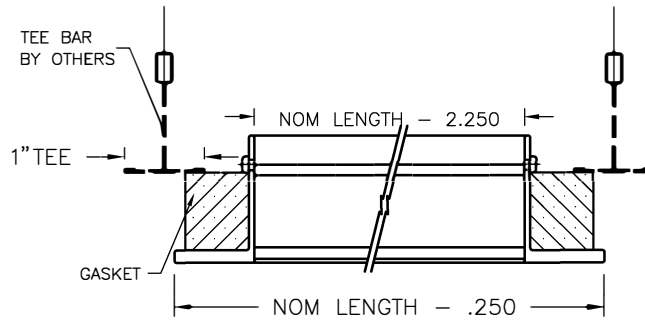


**SDS/SDR TYPE 22 LINEAR SLOT DIFFUSER (TechStyle)**



□ SDS SUPPLY 7-SLOT



**NOTES:**

- FITS Hunter Douglas Ceilings & Walls exclusively from CertainTeed, Inc. TechStyle CEILING
- 180 AIR PATTERN ADJUSTMENT AVAILABLE
- FACTORY TOLERANCE  $\pm .031$ "
- AVAILABLE LENGTHS:  
□ 24" □ 48" □ 60"

**MATERIAL:**

- EXTRUDED ALUMINUM FRAME
- STEEL PATTERN CONTROLLER OR EXTRUDED ALUMINUM

**FINISH:**

- PATTERN CONTROLLER: B17 BLACK
- DIFFUSER FACE: B12 WHITE (OPTIONAL FINISHES AVAILABLE)

ALL METRIC DIMENSIONS ( ) ARE SOFT CONVERTED. IMPERIAL DIMENSIONS ARE CONVERTED TO METRIC AND ROUNDED TO THE NEAREST MILLIMETER.

|                        |  |   |
|------------------------|--|---|
| <b>PROJECT:</b>        |  | <b>PRICE®</b>   |
| <b>ENGINEER:</b>       |  |   |
| <b>CUSTOMER:</b>       |  | <b>SDS/SDR 75</b><br>T-BAR LAY-IN<br>LINEAR DIFFUSER<br>TYPE 22 |
| <b>SUBMITTAL DATE:</b> |  |   |
| <b>SPEC. SYMBOL:</b>   |  | PXY27197  |
|                        |  | 2009/12/03  |