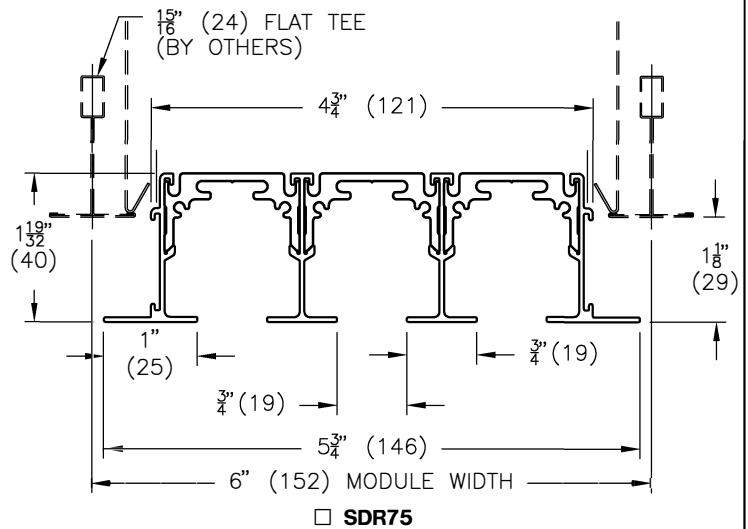
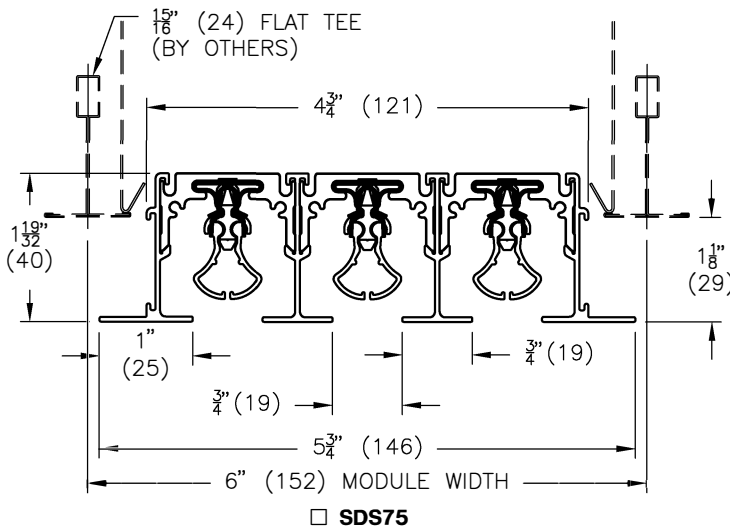
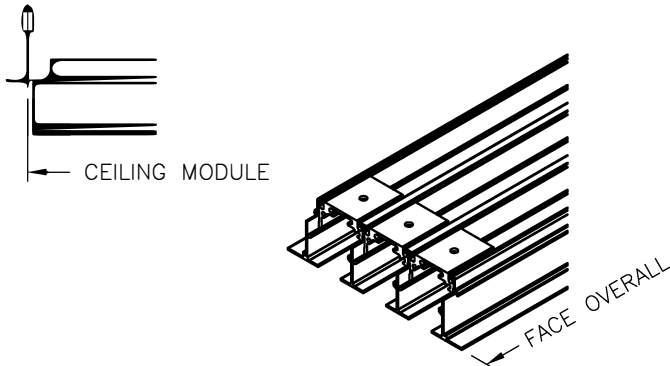


**SDS / SDR LINEAR SLOT DIFFUSER - TYPE 21  
TECHSTYLE CEILING APPLICATION**



**END CONDITIONS:**

**V - NOTCHED END FOR TECHSTYLE**



END CONDITION	FACE LENGTH
V-V	CEILING MODULE - 1/4" (6)

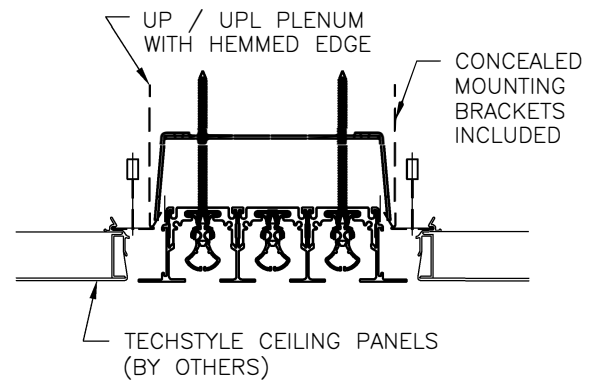
**FINISH:**

- PATTERN CONTROLLERS - B17 BLACK
- DIFFUSER FACE - B12 WHITE (OPTIONAL FINISHES AVAILABLE)

**MATERIAL:**

- EXTRUDED ALUMINUM FRAME
- ROLLFORMED STEEL OR EXTRUDED ALUMINUM PATTERN CONTROLLERS ON SDS75

**MOUNTING:**



MODULE WIDTH	SLOT QUANTITY
6" (152)	3

**NOTE:**

- AVAILABLE LENGTHS:
  - 24" (610)  48" (1219)  60" (1524)
- FOR USE WITH: Hunter Douglas Ceilings & Walls exclusively from CertainTeed, Inc. TECHSTYLE CEILINGS WITH 6" (152) MODULE WIDTH
- 180° AIR PATTERN ADJUSTMENT AVAILABLE
- FOR USE WITH MODEL UP / UPL PLENUMS, TYPE 21 (ORDER SEPARATELY)
- FACTORY TOLERANCE ± 1/32" (1)

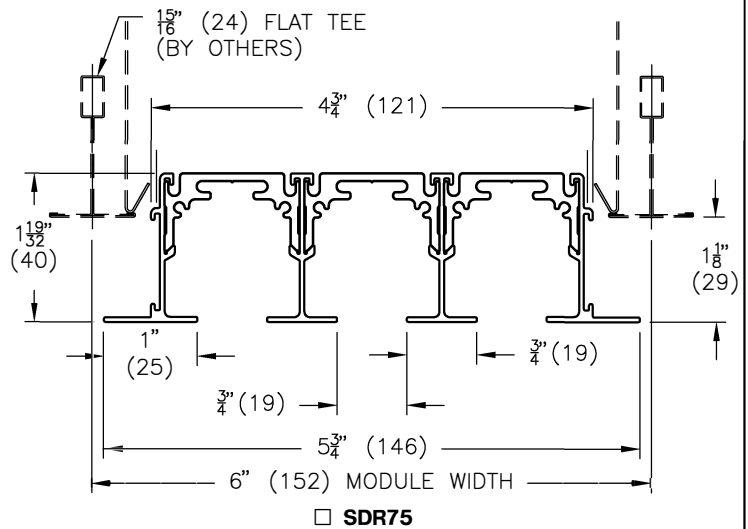
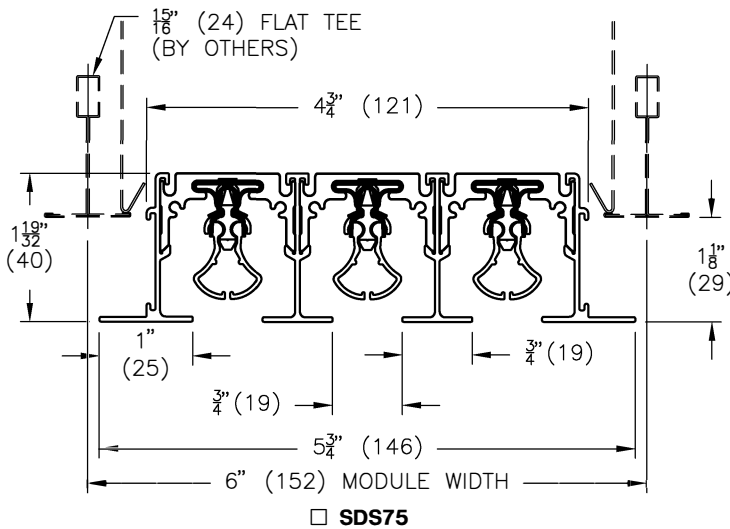
**MODELS:**

- SUPPLY DIFFUSERS: RETURNS:
- SDS75 - 3/4" SLOT
  - SDR75 - 3/4" SLOT

ALL METRIC DIMENSIONS ( ) ARE SOFT CONVERTED. IMPERIAL DIMENSIONS ARE CONVERTED TO METRIC AND ROUNDED TO THE NEAREST MILLIMETER.

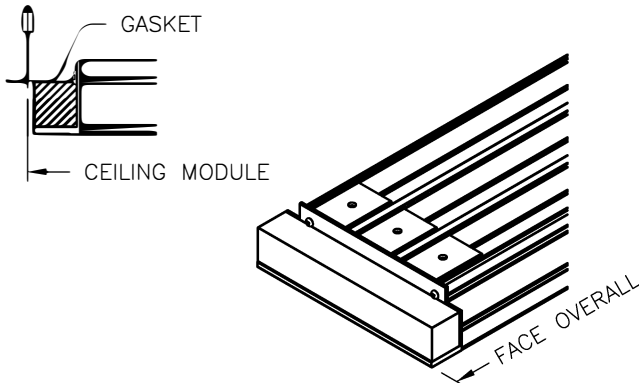
<b>PROJECT:</b>		<b>PRICE</b> <sup>®</sup>	
<b>ENGINEER:</b>			<b>SDS / SDR</b> TYPE 21 LINEAR DIFFUSER TECHSTYLE T-BAR SYSTEM
<b>CUSTOMER:</b>			
<b>SUBMITTAL DATE:</b>	<b>SPEC. SYMBOL:</b>	2011/07/12	

**SDS / SDR LINEAR SLOT DIFFUSER - TYPE 22  
TECHSTYLE CEILING APPLICATION**



**END CONDITIONS:**

**W - FLANGE END**



END CONDITION	FACE LENGTH
W-W	CEILING MODULE - 1/4" (6)

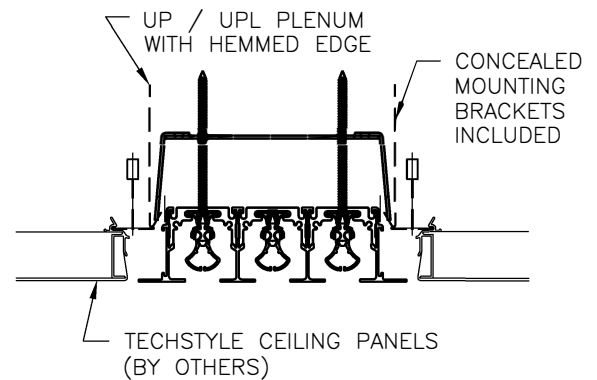
**FINISH:**

- PATTERN CONTROLLERS - B17 BLACK
- DIFFUSER FACE - B12 WHITE (OPTIONAL FINISHES AVAILABLE)

**MATERIAL:**

- EXTRUDED ALUMINUM FRAME
- ROLLFORMED STEEL OR EXTRUDED ALUMINUM PATTERN CONTROLLERS ON SDS75

**MOUNTING:**



MODULE WIDTH	SLOT QUANTITY
6" (152)	3

**NOTE:**

- AVAILABLE LENGTHS:  
 24" (610)  48" (1219)  60" (1524)
- FOR USE WITH: Hunter Douglas Ceilings & Walls exclusively from CertainTeed, Inc. TECHSTYLE CEILINGS WITH 6" (152) MODULE WIDTH
- 180° AIR PATTERN ADJUSTMENT AVAILABLE
- FOR USE WITH MODEL UP / UPL PLENUMS, TYPE 21 (ORDER SEPARATELY)
- FACTORY TOLERANCE ± 1/32" (1)

**MODELS:**

- SUPPLY DIFFUSERS:  
 SDS75 - 3/4" SLOT       SDR75 - 3/4" SLOT

ALL METRIC DIMENSIONS ( ) ARE SOFT CONVERTED. IMPERIAL DIMENSIONS ARE CONVERTED TO METRIC AND ROUNDED TO THE NEAREST MILLIMETER.

<b>PROJECT:</b>		<b>PRICE®</b>	
<b>ENGINEER:</b>			<b>SDS / SDR</b> TYPE 22 LINEAR DIFFUSER TECHSTYLE T-BAR SYSTEM
<b>CUSTOMER:</b>			
<b>SUBMITTAL DATE:</b>	<b>SPEC. SYMBOL:</b>	2011/07/12	