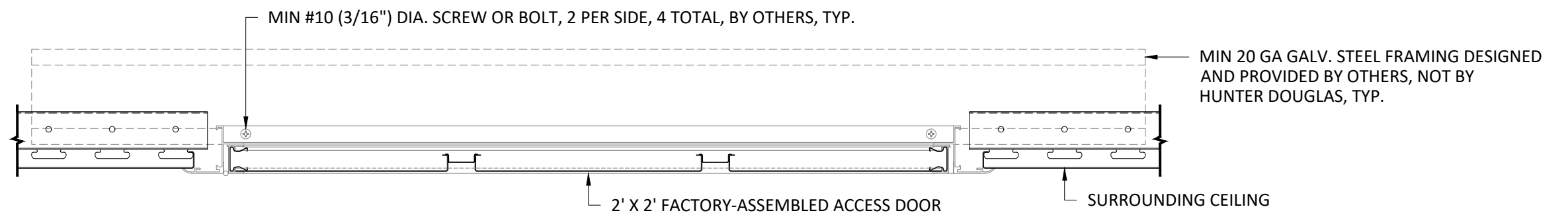
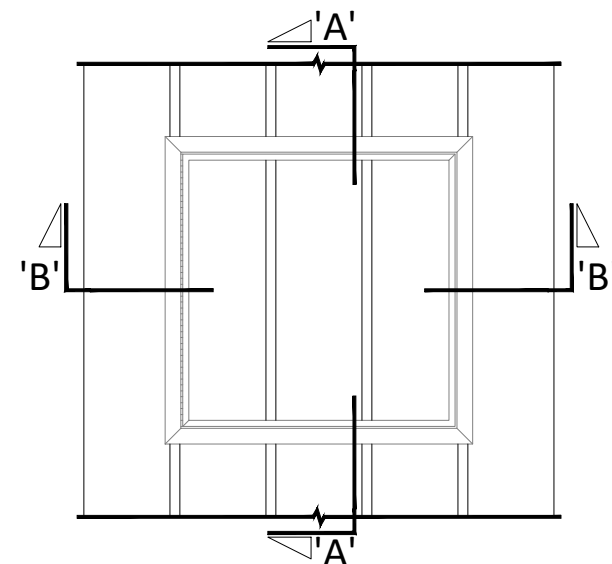


**SECTION 'A'**  
SCALE: 3" = 1'-0"



**SECTION 'B'**  
SCALE: 3" = 1'-0"



**EXTERIOR INSTALLATION**

**HunterDouglas**   
**Ceiling & Wall Products**  
 exclusively from CertainTeed

5015 Oakbrook Parkway, Suite 100  
 Norcross, GA 30093  
 O 800.366.4327  
 F 770.806.0214  
 CTSpecialtyCeilings.com

*All rights reserved. This drawing is the property of CertainTeed Ceilings Corporation. It may not be copied or multiplied, neither wholly nor partly. It may not be submitted for perusal to third parties.*

**SPECIFICATIONS**  
(unless noted otherwise)

MATERIAL: .032" | .040" ALUMINUM BOX 6 PANEL | .040" ALUMINUM  
 UNIVERSAL CARRIER  
 FINISH: PAINT | POWDER COAT | DECORATED WOOD FINISH | LUXACOTE  
 PERFORATION: NON-PERFORATED | #160

**2'-0" X 2'-0" EXTERIOR ACCESS DOOR ATTACHMENT**

PROJECT: EXTERIOR LINEAR BOX 8 PRODUCT SPECIFICATIONS  
 DRAWING NUMBER: EXT-BOX-8-ACCESS-DOOR-ATTACHMENT  
 SCALE: NOT TO SCALE  
 DRAWN BY: HD ENGINEERING  
 DATE: 2/22/19