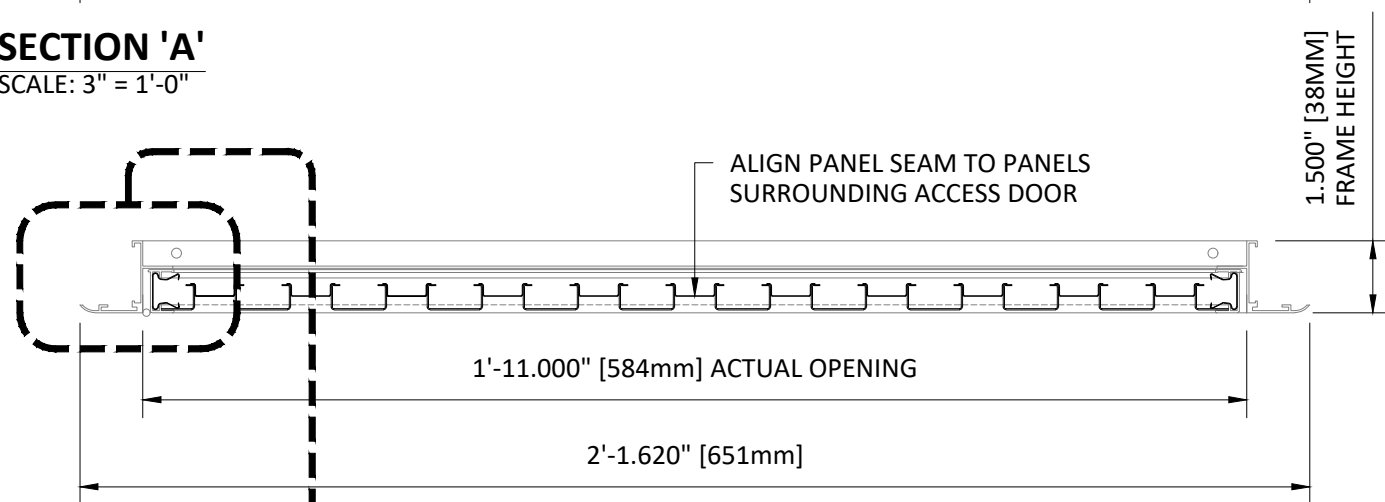
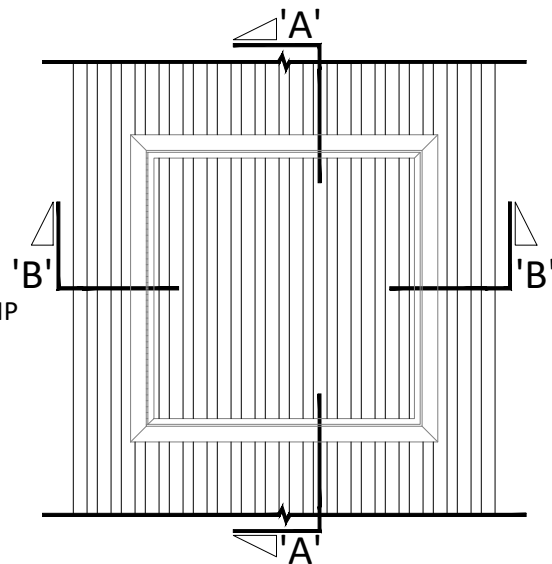
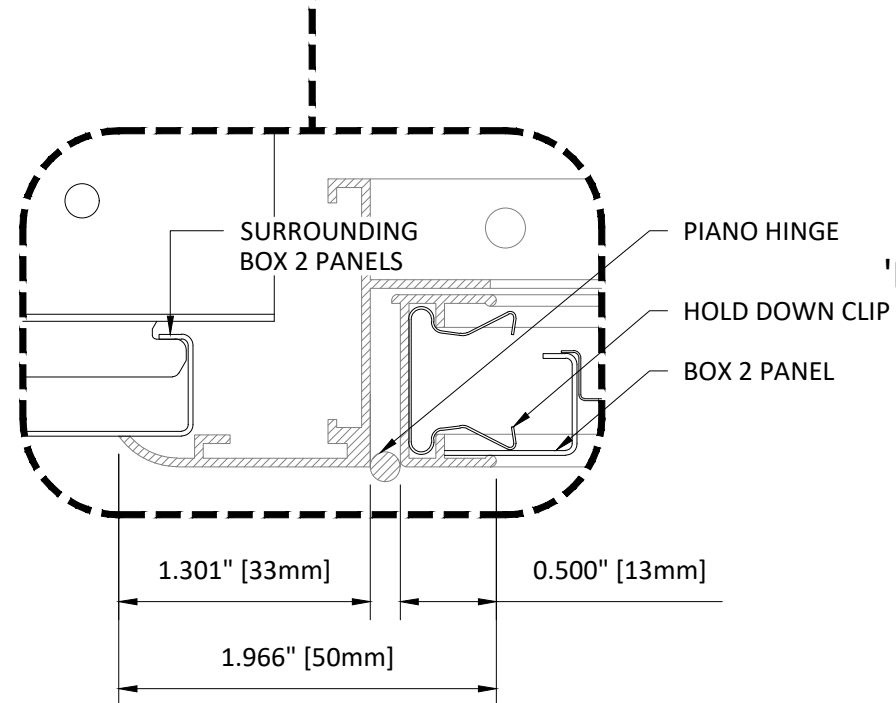


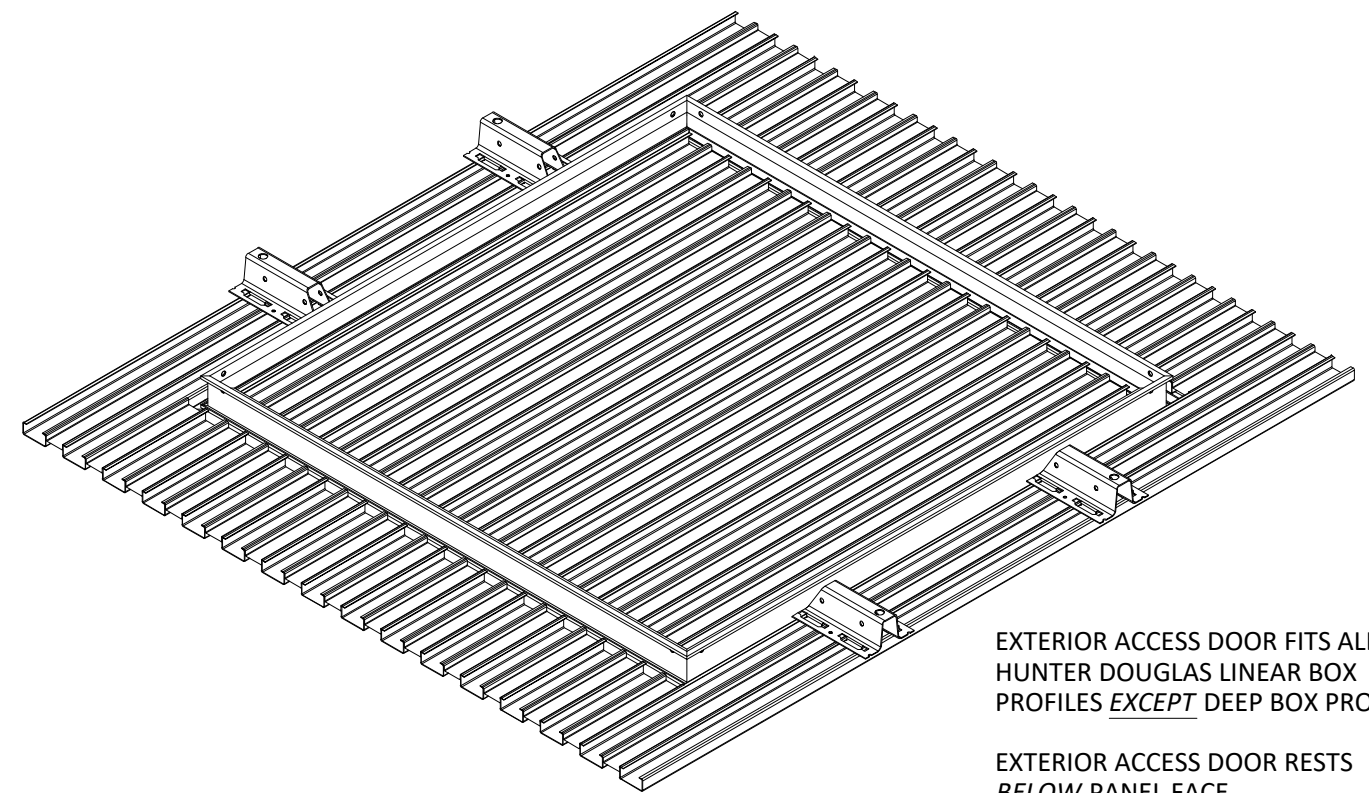
SECTION 'A'
SCALE: 3" = 1'-0"



SECTION 'B'
SCALE: 3" = 1'-0"



VIEW FROM BELOW:
SCALE: NOT TO SCALE

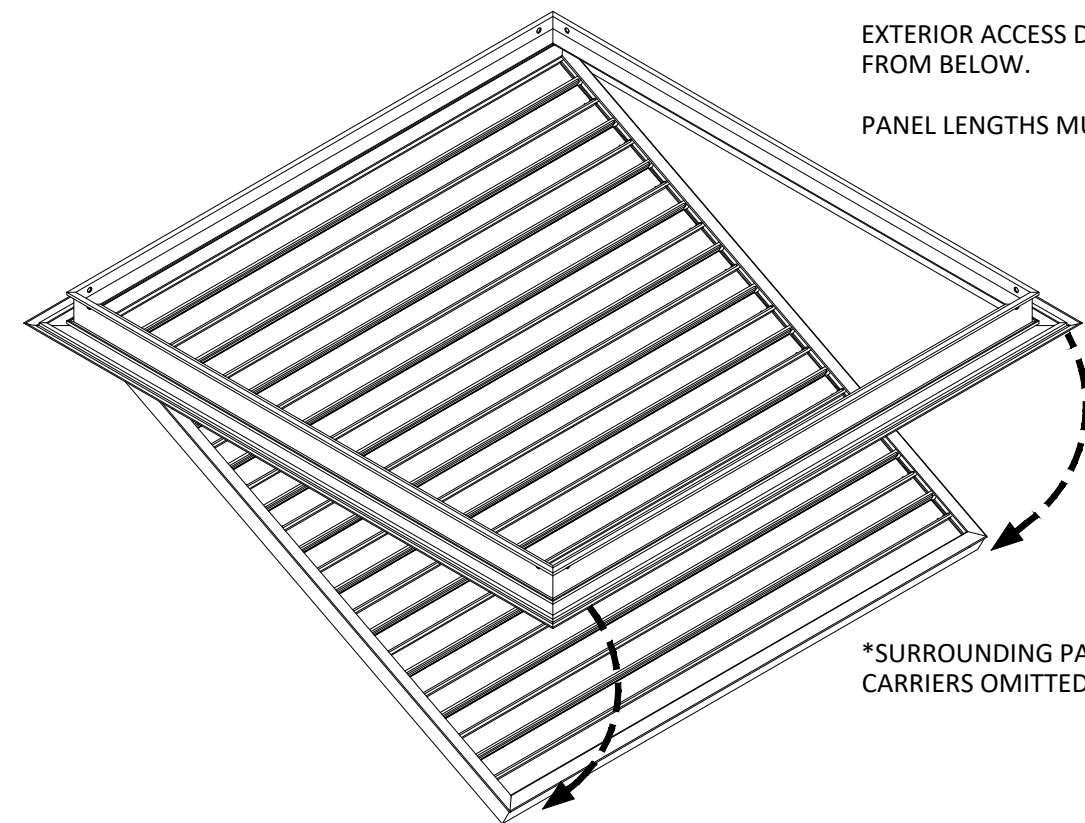


EXTERIOR ACCESS DOOR FITS ALL HUNTER DOUGLAS LINEAR BOX PROFILES *EXCEPT* DEEP BOX PROFILES.

EXTERIOR ACCESS DOOR RESTS *BELOW* PANEL FACE.

EXTERIOR ACCESS DOOR IS EXPOSED FROM BELOW.

PANEL LENGTHS MUST BE FIELD-CUT.



*SURROUNDING PANELS AND CARRIERS OMITTED FOR CLARITY

EXTERIOR INSTALLATION

HunterDouglas 
Ceiling & Wall Products
exclusively from CertainTeed

5015 Oakbrook Parkway, Suite 100
Norcross, GA 30093
O 800.366.4327
F 770.806.0214
CTSpecialtyCeilings.com

All rights reserved. This drawing is the property of CertainTeed Ceilings Corporation. It may not be copied or multiplied, neither wholly nor partly. It may not be submitted for perusal to third parties.

SPECIFICATIONS
(unless noted otherwise)

MATERIAL: .020" | .025" ALUMINUM BOX 2 PANEL | .040" ALUMINUM
UNIVERSAL CARRIER
FINISH: PAINT | POWDER COAT | DECORATED WOOD FINISH | LUXACOTE
PERFORATION: NOT AVAILABLE

2'-0" X 2'-0" EXTERIOR ACCESS DOOR

PROJECT: EXTERIOR LINEAR BOX 2 PRODUCT SPECIFICATIONS
DRAWING NUMBER: EXT-BOX-2-ACCESS-DOOR
SCALE: NOT TO SCALE
DRAWN BY: HD ENGINEERING
DATE: 2/22/19