

Mastic - Vertical Seam Length

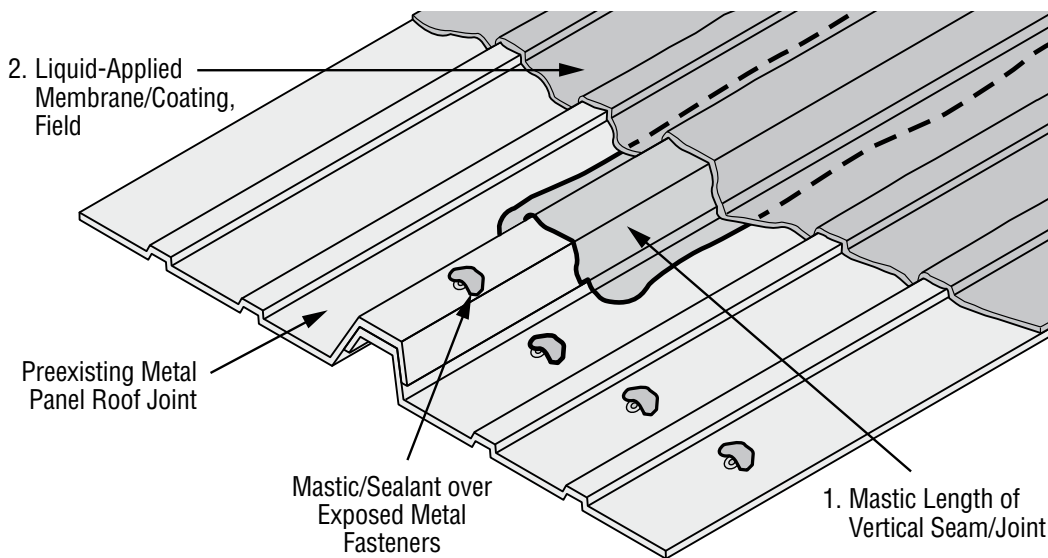
Apply SMARTCOAT 300 Series Mastic with a brush, trowel or gloved hand at a maximum thickness of 1/8" for 300/301 Acrylic Mastic and 1/4" for 350/365 Silicone Mastic, running the full length of the vertical seam. Ensure the edges of the detail are properly feathered.

Mastic/Sealant - Fasteners

Remove and replace damaged fasteners, seal all exposed metal fasteners with SMARTCOAT 300 Series Mastic by brush, trowel or gloved hand or gun SMARTCOAT 370 UltraSeal.

Liquid-Applied Coating/Membrane, Field

Once mastic is cured, apply coating in accordance with specified SMARTCOAT application. Multiple coats will be required to achieve specified mil thickness on roofs with greater than 3:12 slope or on vertical surfaces; it is not recommended to apply more than 1G per 100 sq. ft. in a single coat to avoid material sagging.



NOT DRAWN TO SCALE