



The fastest way to install drywall grid in corridors.

QUICKSPAN™ LOCKING DRYWALL GRID SYSTEM



FAST

Fewer hanger wires means quicker installation and industry leading spacing



EFFICIENT

Lower labor costs with fewer installers needed



SIMPLE

Convenient pre-measured tabs make layout a breeze



SMART

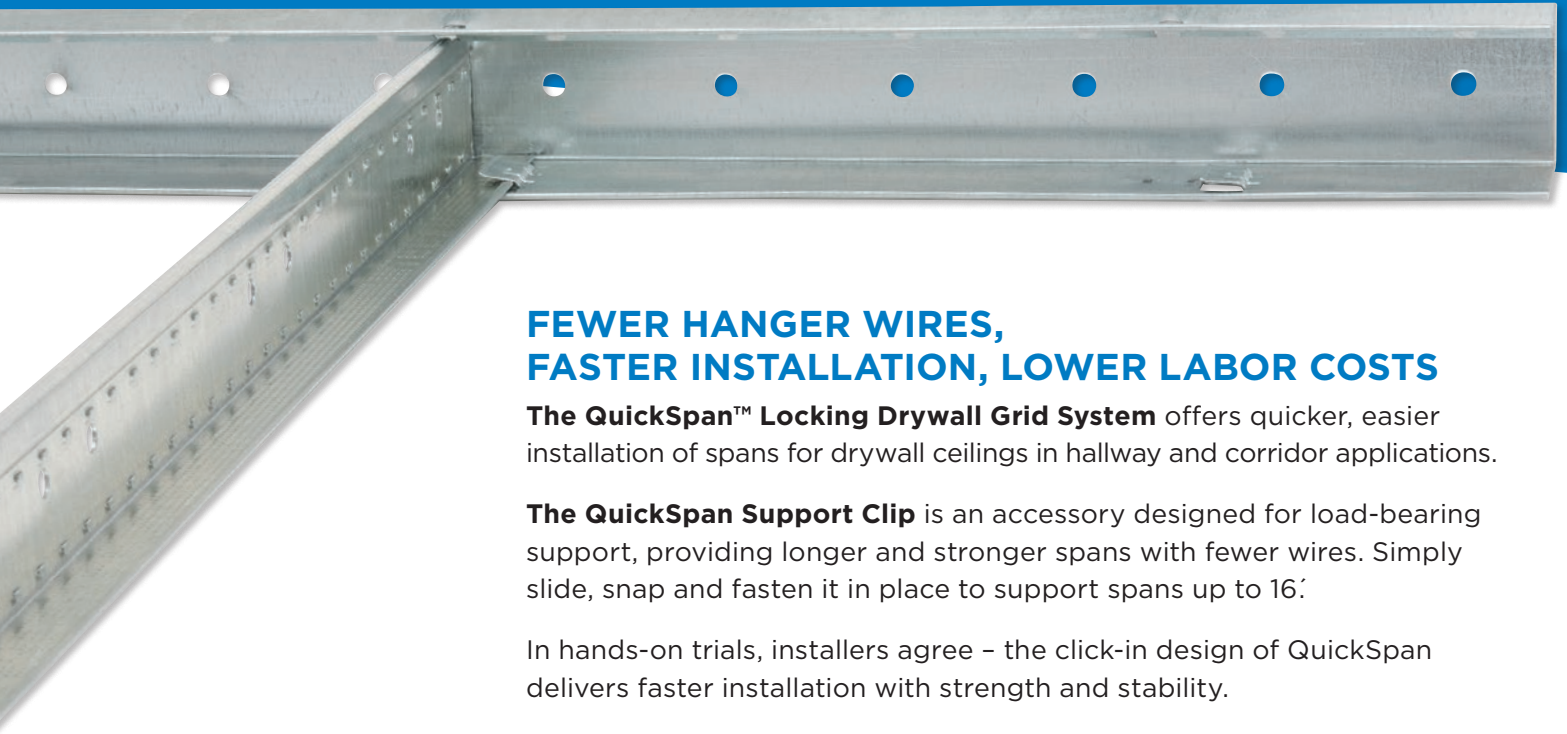
Audible click lets you know tee is locked in place



STRONG

New Support Clip offers maximum support for longer spans

CertainTeed
SAINT-GOBAIN



FEWER HANGER WIRES, FASTER INSTALLATION, LOWER LABOR COSTS

The QuickSpan™ Locking Drywall Grid System offers quicker, easier installation of spans for drywall ceilings in hallway and corridor applications.

The QuickSpan Support Clip is an accessory designed for load-bearing support, providing longer and stronger spans with fewer wires. Simply slide, snap and fasten it in place to support spans up to 16’.

In hands-on trials, installers agree – the click-in design of QuickSpan delivers faster installation with strength and stability.

QUICKSPAN TEES

- Eliminates the need for hanger wires for unsupported spans up to 9’ with 5/8” drywall and 16” O.C. spacing (See chart)
- Knurled face for easier screw installation
- Web is double-stitched for added strength
- Heavy-duty material for maximum rigidity and screw grip
- G40 galvanization and 0.020” metal thickness

QUICKSPAN LOCKING CHANNEL

- Pre-engineered locking tabs punched at 8” O.C.
- Tees quickly twist into place for fast installation
- Locking tab prevents lateral and upward movement
- No need for screws, pop rivets or crimpers
- Carpenters marks at locking tabs for quick alignment

APPLICATIONS INCLUDE:

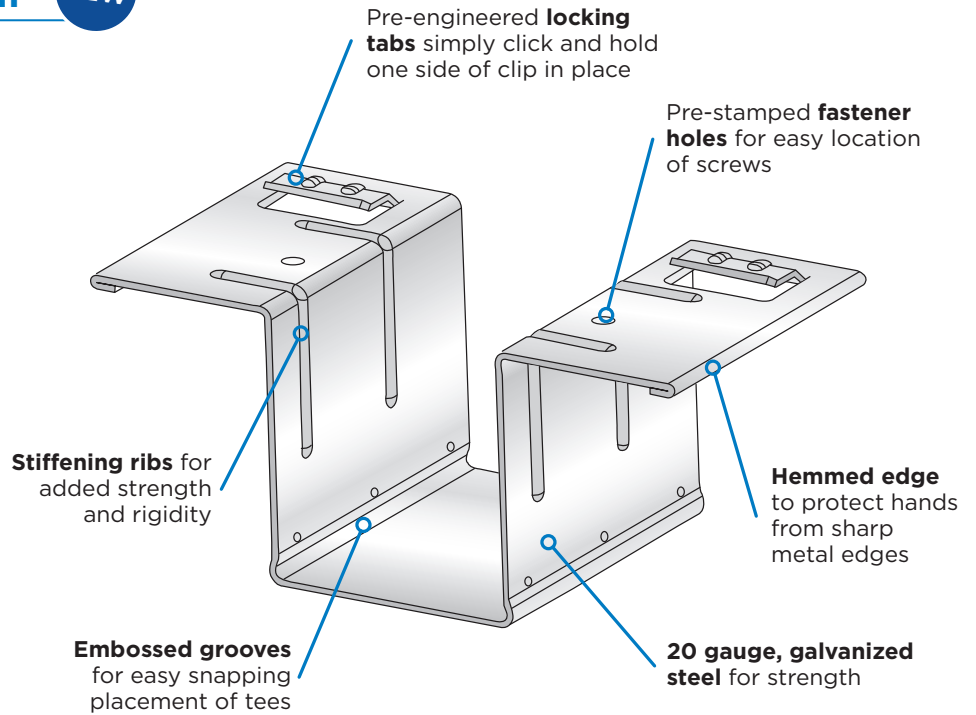
Corridors, offices, and small rooms in condominiums, apartments, hotels, motels, education, healthcare and offices.

ALL QUICKSPAN GRID COMPONENTS OFFER:

- Tested performance data available in ICC ESR-3941
- 10-year limited warranty

QUICKSPAN™ SUPPORT CLIP NEW

- Slides and snaps into place on carrying tees for fast, easy installation
- Allows for fewer hanger wires at 4'-6'6" O.C., versus 3'-4' O.C. from the competition
- Enables longer spans up to 16' with just one hanger wire
- Supports wider spanning tee spacing at 24" O.C.
- Provides easier connection at walls utilizing the QuickSpan patented locking channel



HANGER WIRE SPACING (in.) FOR QUICKSPAN TEE PERPENDICULAR SUPPORT WITH SUPPORT CLIP AT CENTER

GYPSUM BOARD WEIGHT	FULL SPAN IN ft. (UNSUPPORTED SPAN IN ft.)*									
	7'(3.5')	8'(4')	9'(4.5')	10'(5')	11'(5.5')	12'(6')	13'(6.5')	14'(7')	15'(7.5')	16'(8')
	Hanger spacing (in.)									
5 lbs/Sq. ft.	60.0	57.4	55.2	53.3	51.6	50.1	48.8	47.6	46.5	45.5
2.5 lbs/Sq. ft.	75.6	72.3	69.5	67.1	65.0	63.2	61.5	60.0	58.6	57.4
2 lbs/Sq. ft.	78.0	78.0	74.9	72.3	70.0	68.0	66.2	64.6	63.2	61.8
1.4 lbs/Sq. ft.	78.0	78.0	78.0	78.0	78.0	76.6	74.6	72.8	71.1	69.6

*Unsupported span is equal to the distance measured between locking channels and the perpendicular QuickSpan support tee.

For full load test data, download the QuickSpan Locking Drywall Grid System data sheet at CertainTeed.com/QuickSpan.

For more on the QuickSpan Locking Drywall Grid System, visit CertainTeed.com/QuickSpan or call 800-233-8990

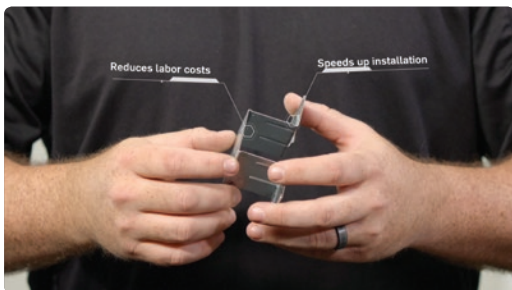
CertainTeed
SAINT-GOBAIN

MORE TIME-SAVING SOLUTIONS FROM CERTAINTEED

View product videos and learn more about our QuickSpan Locking Drywall Grid System at CertainTeed.com/QuickSpan

SIDE-BY-SIDE PRODUCT COMPARISON VIDEO

Watch how much faster the QuickSpan™ Locking Drywall Grid System is versus the competition.



WATCH STEP-BY-STEP INSTALLATION GUIDES:

- QuickSpan™ Locking Drywall Grid System
- QuickSpan™ Support Clip

Connect with us



CertainTeed
SAINT-GOBAIN

Contact your CertainTeed Ceilings representative by calling 800-233-8990

CertainTeed.com/QuickSpan 800-233-8990 ©2/19 CertainTeed Corporation CTC-06-500