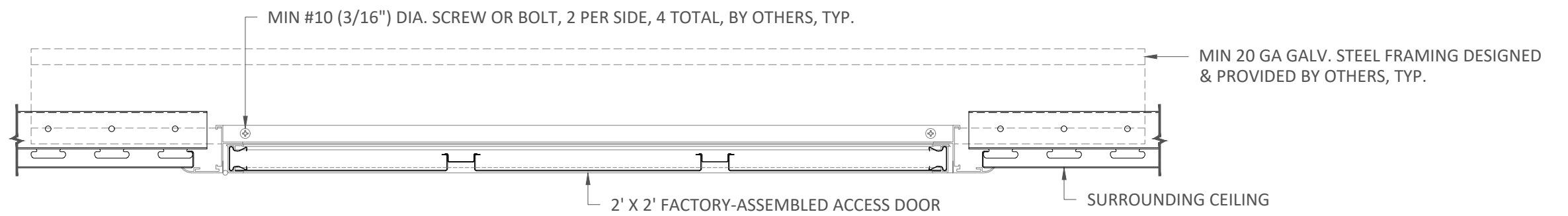
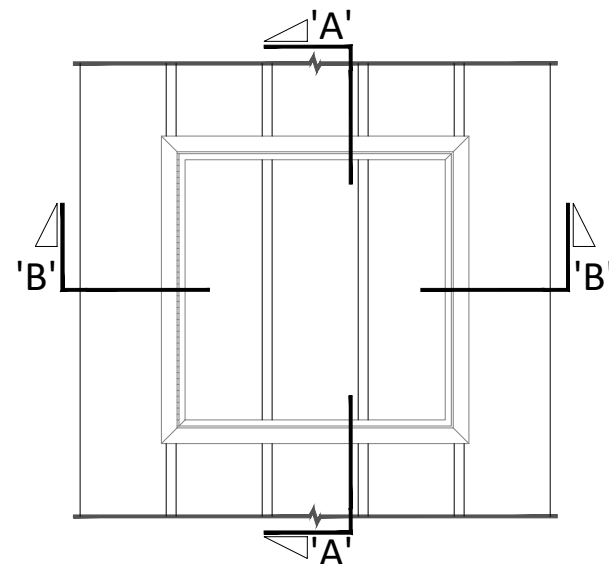


**SECTION 'A'**  
SCALE: 3" = 1'-0"



**SECTION 'B'**  
SCALE: 3" = 1'-0"



**EXTERIOR INSTALLATION**



5015 Oakbrook Parkway, Suite 100  
Norcross, GA 30093  
O 800 366 4327  
F 770 806 0214  
[www.certainteed.com/architectural](http://www.certainteed.com/architectural)

**SPECIFICATIONS**  
(unless noted otherwise)

MATERIAL: .032" | .040" ALUMINUM BOX 8 PANEL | .040" ALUMINUM  
UNIVERSAL CARRIER  
FINISH: PAINT | POWDER COAT | DECORATED WOOD FINISH | LUXACOTE  
PERFORATION: NON-PERFORATED | #160

**2'-0" X 2'-0" EXTERIOR ACCESS DOOR ATTACHMENT**

PROJECT: EXTERIOR BOX 8 PRODUCT SPECIFICATIONS  
DRAWING NUMBER: BOX8\_EXTACCESSDOORATTACHMENT\_CTC\_2204  
SCALE: AS SHOWN  
DRAWN BY: CTA ENGINEERING  
DATE: 4/20/22

These drawings show typical conditions for installing the CertainTeed product shown. They should not be construed as a substitute for an architectural or engineering design and do not reflect the unique requirements of local codes, laws, statutes or regulations that may be applicable for a specific installation. CertainTeed assumes no liability for the accuracy or completeness of the drawings for a specific installation or the fitness of the drawings for a particular purpose. The user is advised to consult with local licensed design professionals in order to assure compliance with all legal requirements. CertainTeed is not licensed to provide professional engineering or architectural services.