

METAL CEILINGS

LINEAR  
84R & 84G



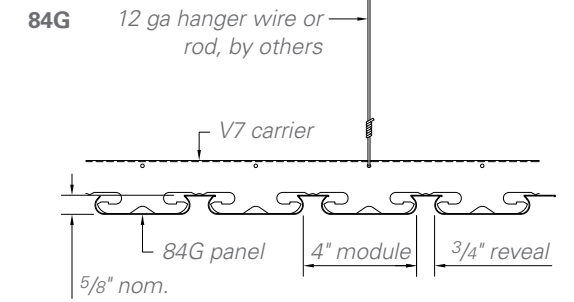
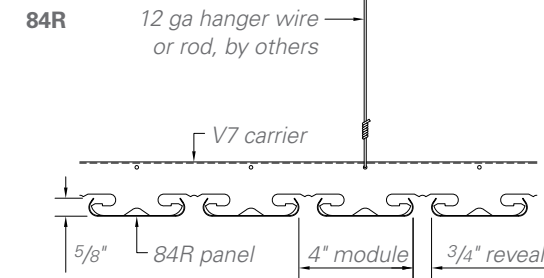
The 84R and 84G Linear metal ceiling systems offer a rounded edge linear aesthetic at a nominal 4" width.

Project: Tianjin Metro Line 1, Tianjin, China; 84R

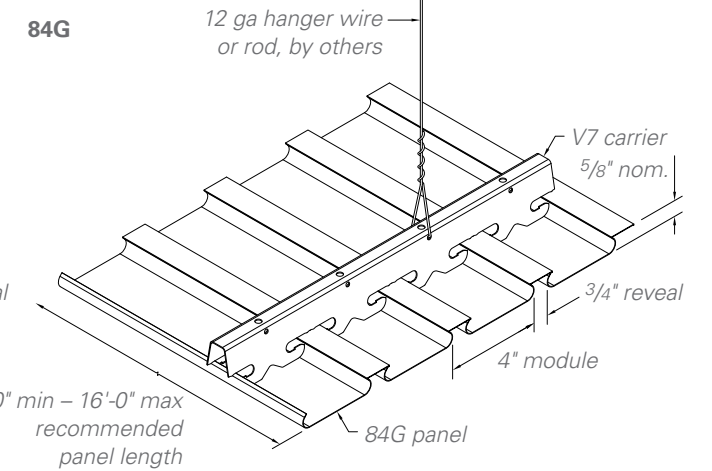
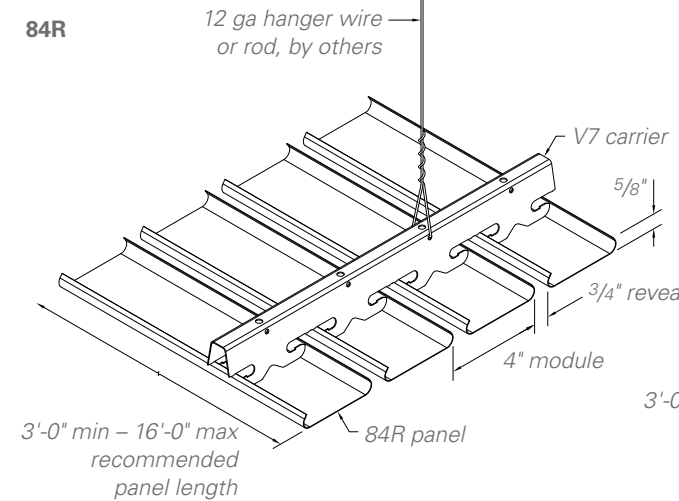
KEY FEATURES

- Panel module width: 4"
- Panel lengths: 3' to 16'
- Panel depth: 5/8"
- Round-edge design
- Curved carrier with straight panel application available
- Waste reduction with factory fabricated dimensional material
- Downweight: reduce dead load with lightweight aluminum
- Easy plenum access
- Interior only
- Compatible with industry standard lighting, HVAC, speaker, fire safety, and security services

TYPICAL SECTIONS

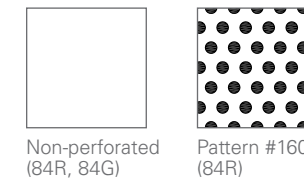


TYPICAL ISOMETRICS



PERFORATION PATTERNS

Standard patterns shown. Scale shown: 1:1, unless otherwise noted.



PHYSICAL DATA

**Substrate:** Aluminum  
**Warranty:** 1 year  
**Seismic rating:** Zones A,B,C,D,E,F  
**Fire rating:** Class A Fire Rated per ASTM E84  
 – Painted or anodized metal: Flame spread: ≤ 25, Smoke ≤ 50  
**Weight:** Varies 0.5 – 0.75 lbs./sq.ft.  
**Wind load:** N/A  
**Recycled content:** Up to 92%  
**Light reflectance (LR) Coefficient per ASTM E1264 & ASTM E1477:**  
 – Cotton White: LR = 0.81  
**Acoustical ratings – NRC:** See Resources section.

BIM

REVIT files available for BIM contributions, see website for details.

LEED V4 CREDITS

EA: Optimize Energy Performance  
 MR: Building Product Disclosure  
 EQ: Low-Emitting Materials  
 EQ: Indoor Air Quality Assessment  
 EQ: Daylight  
 EQ: Acoustic Performance

CERTIFICATIONS

GREENGUARD Gold Certified  
 EPDs – available upon request



**METAL CEILINGS**

**LINEAR  
84R & 84G**

**COLORS & FINISHES**

A wide choice of colors and finishes are available and some carry a premium price over manufacturer's standard colors. Custom color matching is available upon request. Minimum quantities and lead times may apply. See website for the most up to date information and to order samples. Colors are for illustration purposes only.

**STANDARD PAINT COLORS**



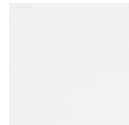
Natural  
7163



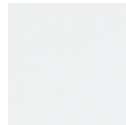
Cotton White  
0280

**WHITE FINISH OPTIONS**

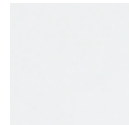
Powder-coat paint finish for Arctic White #1015P (Gloss 10-20); Crystalline White #1050P (Gloss 45-55); Supernova White #1085P (Gloss 80-90)



Arctic White  
1015P



Crystalline  
White 1050P



Supernova White  
1085P

**CUSTOM COLORS**

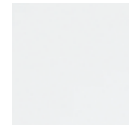
Premium custom colors.



Custom

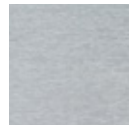
**DAYLIGHTING WHITE PAINT FINISH**

Powder-coat paint finish offering LRV 96; non-glare, 3% low gloss finish. Certified by: Applied Technical Services, Inc. Test Report No. D233185. Test reports available by request.



Performance White  
9603P

**STANDARD METALLIC**



Brushed Aluminum  
0004

**BLACK FINISH OPTIONS**

Powder-coat paint finish for Starless Black #5000P (Matte); Raven Black #5030P (Gloss 25-35); Sable Black #5060P (Gloss 65-75); Wet Glass Black #5095P (Gloss 90-95)



Starless Black  
5000P



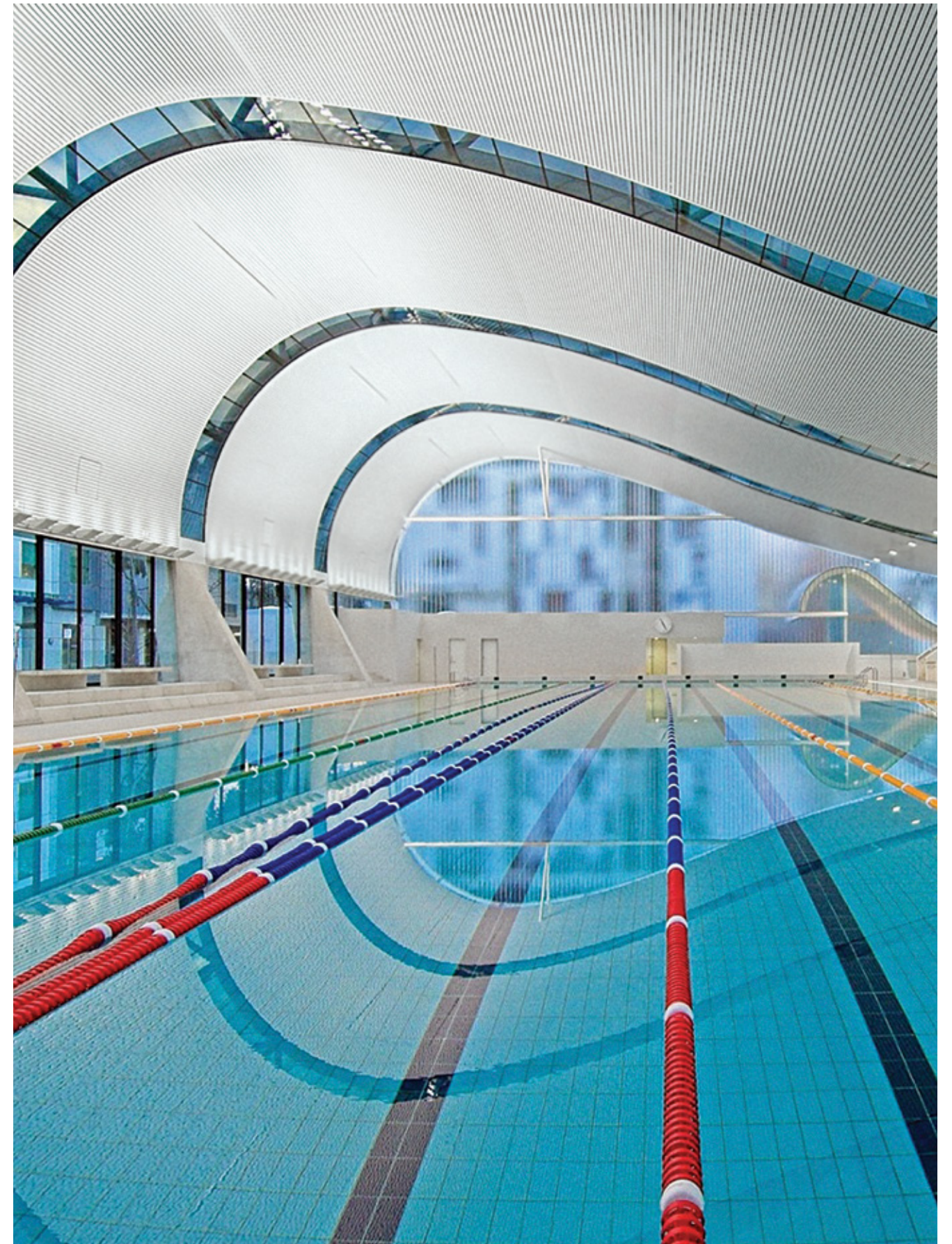
Raven Black  
5030P



Sable Black  
5060P



Wet Glass Black  
5095P



Project: Ian Thorpe Aquatic Centre, Sydney, Australia; 84R